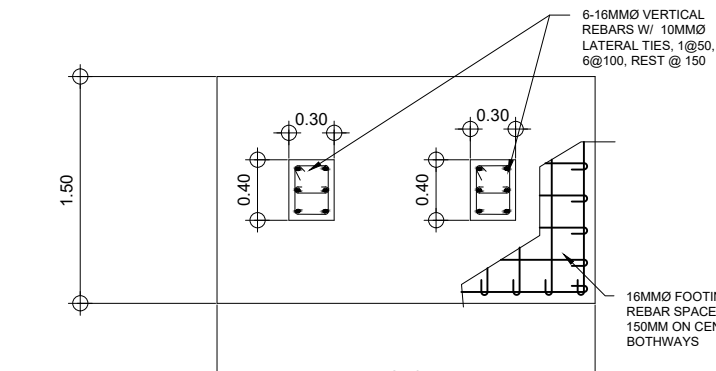
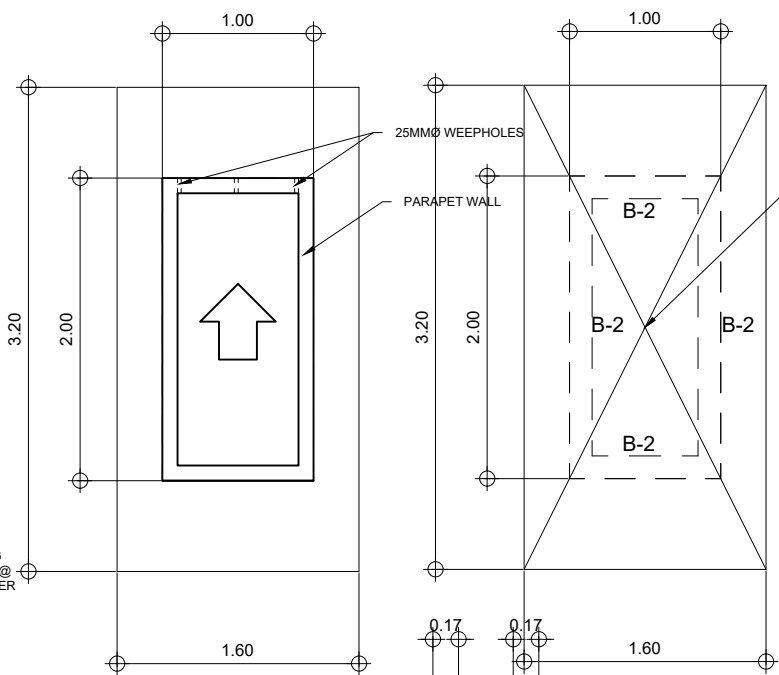


**4**  
S6  
**T-4 DETAIL**  
SCALE 1/50MTS

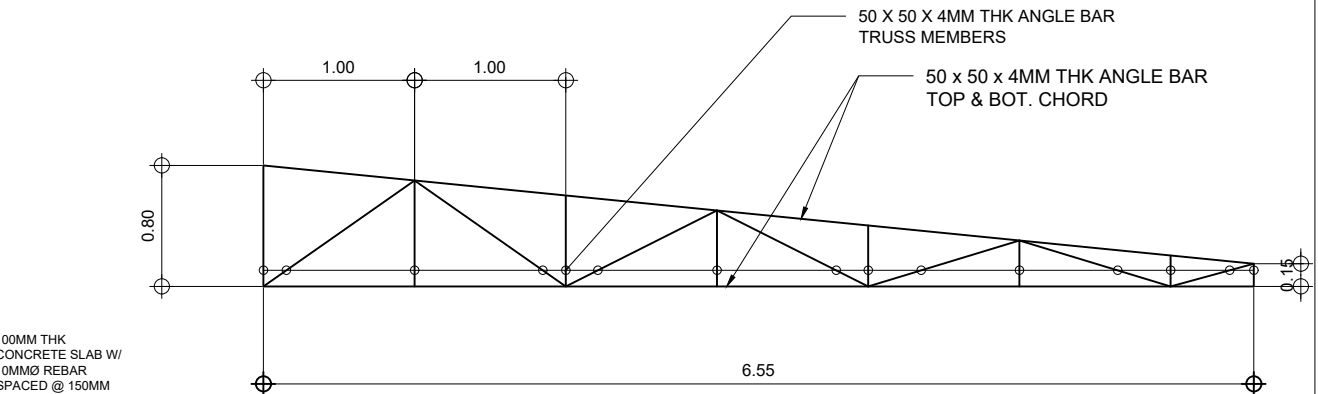
**2**  
S6  
**PLAN PLANT BOX DETAIL**  
SCALE 1/50MTS



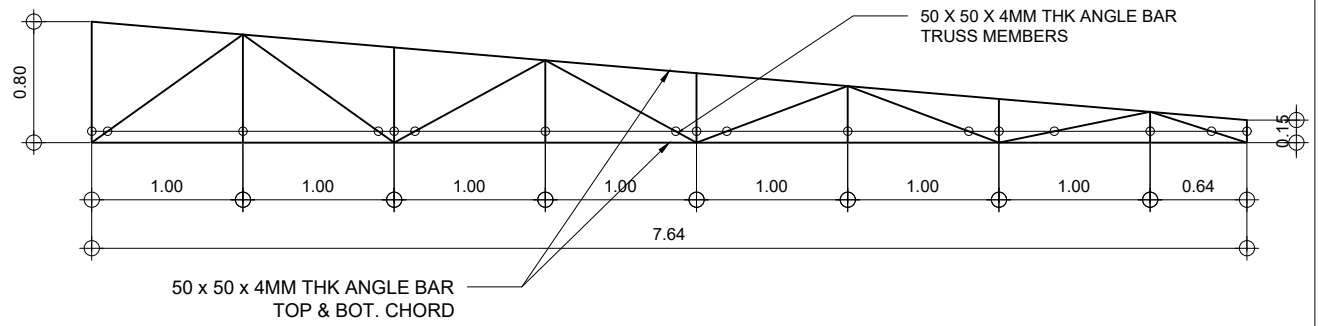
**1**  
S6  
**COLUMN FOOTING DETAIL (FACADE)**  
SCALE 1/50MTS



**3**  
S6  
**ROOFING DETAIL (ISLAND TYPE GUARDHOUSE)**  
SCALE 1/50MTS



**5**  
S6  
**T-5 DETAIL**  
SCALE 1/50MTS



**6**  
S6  
**T-6 DETAIL**  
SCALE 1/50MTS



**SOUTHERN LEYTE STATE UNIVERSITY**  
SOGOD, SOUTHERN LEYTE

SHEET CONTENT:  
AS SHOWN

PREPARED BY:  
**RYAN A. MACUTO**  
CIVIL ENGINEER

PROJECT TITLE AND LOCATION:  
**PROPOSED REPAIR AND IMPROVEMENT OF STRUCTURES/FACILITIES AND ACQUISITION OF EQUIPMENTS (IMPROVEMENT OF MAIN CAMPUS MAIN GATE)**  
SLSU MAIN CAMPUS, SOGOD SOUTHERN LEYTE

APPROVED AS PER PLAN:  
**PROSE IVY G. YEPES, Ed.D**  
UNIVERSITY PRESIDENT

SET NO.:  
**S6**

SHEET NO.:  
**14**  
**18**