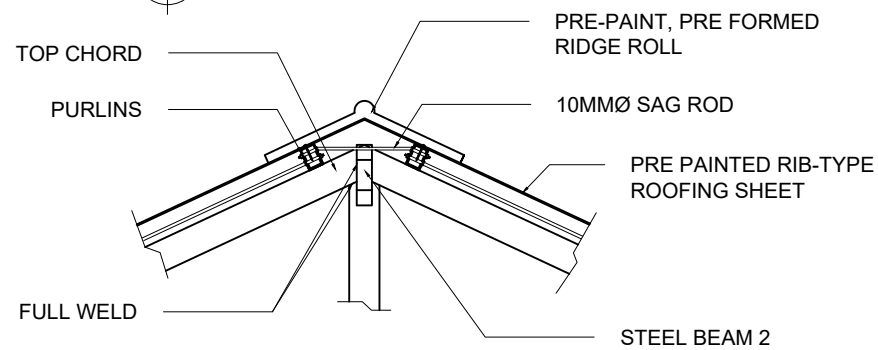
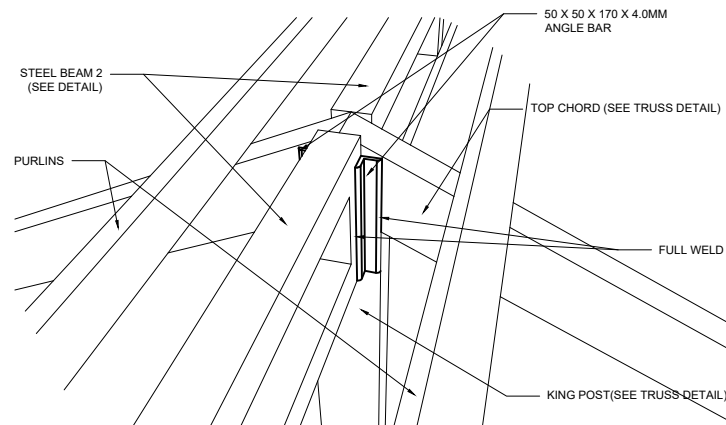


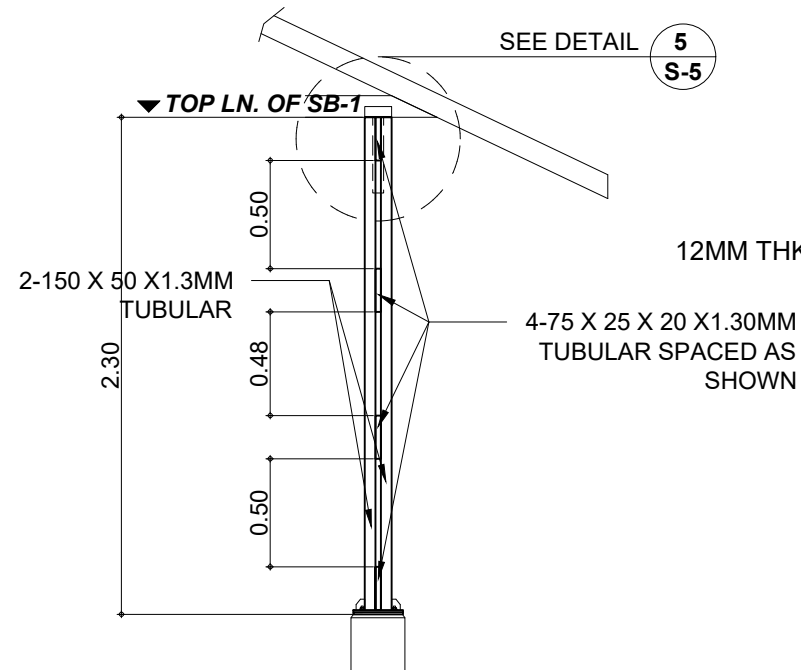
**1**  
S5  
**HT-1 DETAIL**  
SCALE 1 / 50 MTS



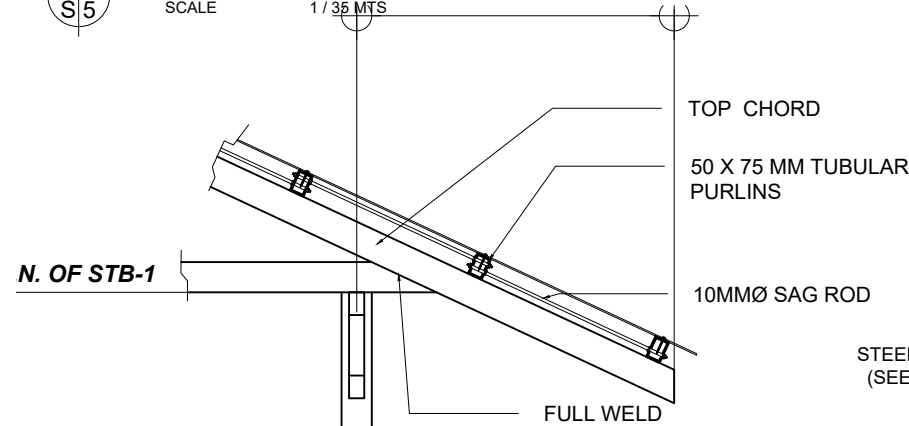
**2**  
S5  
**TYPICAL TRUSS CONNECTION DETAIL**  
SCALE 1 / 25 MTS



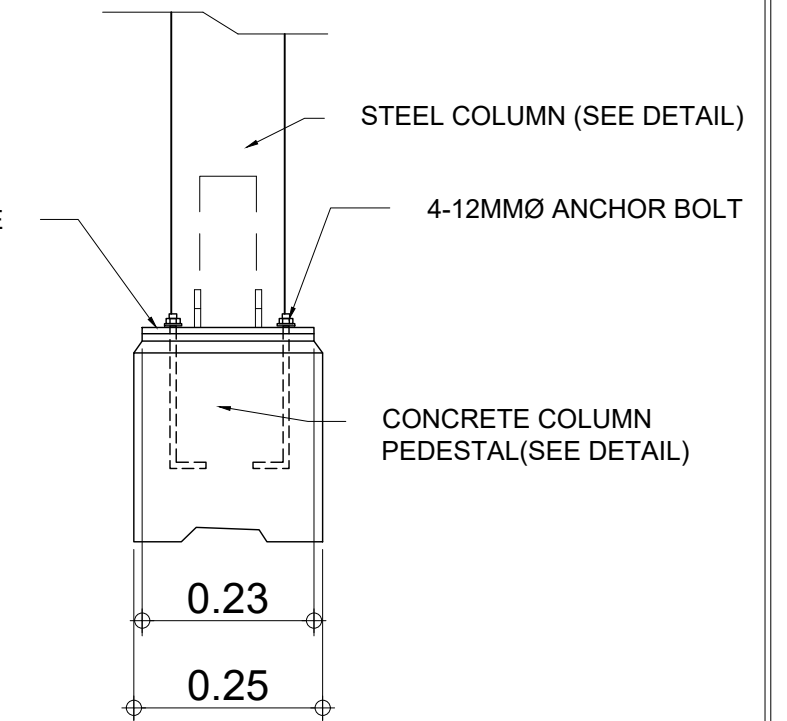
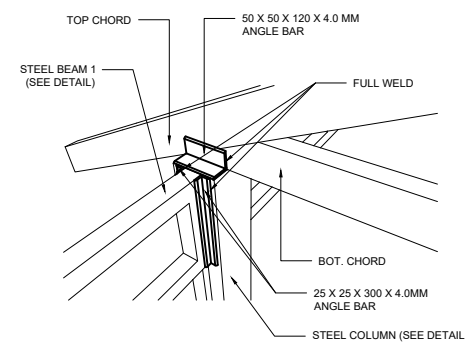
**3**  
S5  
**TYPICAL TRUSS CONNECTION PERSPECTIVE DET.**  
NOT DRAWN TO SCALE



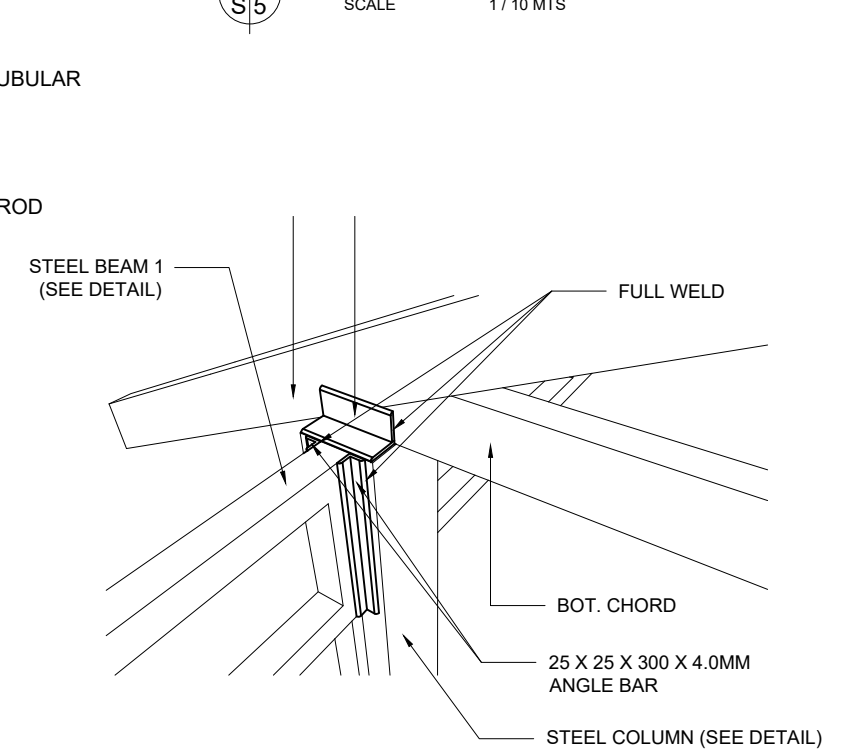
**4**  
S5  
**TYPICAL TRUSS-COLUMN CONNECTION DETAIL**  
SCALE 1 / 35 MTS



**5**  
S5  
**BLOW UP TRUSS-COLUMN CONNECTION DETAIL**  
SCALE 1 / 35 MTS



**7**  
S5  
**COLUMN - PEDESTAL CONNECTION DETAIL**  
SCALE 1 / 10 MTS



**SOUTHERN LEYTE STATE UNIVERSITY**  
SOGOD, SOUTHERN LEYTE

SHEET CONTENT:

AS SHOWN

PREPARED BY:

**RYAN A. MACUTO**  
CIVIL ENGINEER

PROJECT TITLE AND LOCATION:

**PROPOSED REPAIR AND IMPROVEMENT OF STRUCTURES/FACILITIES AND ACQUISITION OF EQUIPMENTS (IMPROVEMENT OF MAIN CAMPUS MAIN GATE)**  
SLSU MAIN CAMPUS, SOGOD SOUTHERN LEYTE

APPROVED AS PER PLAN:

**PROSE IVY G. YEPES, Ed.D**  
UNIVERSITY PRESIDENT

SET NO.:

**S5**

SHEET NO.:

**13**  
**18**