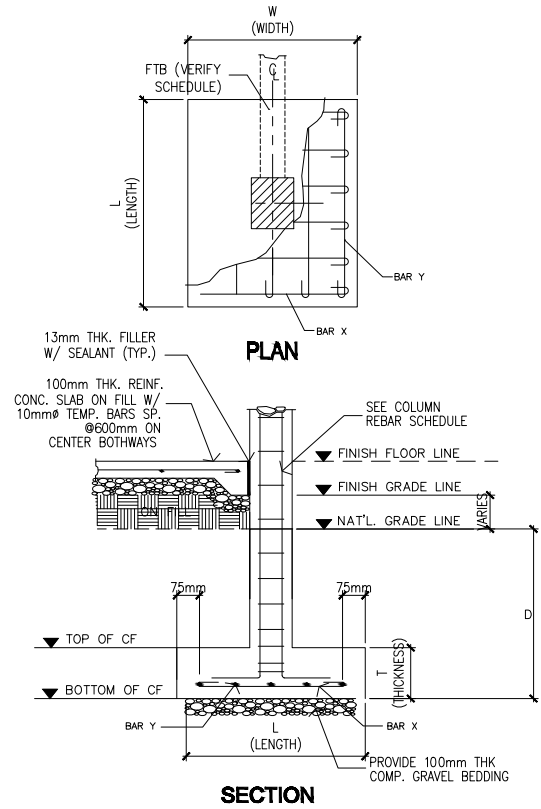
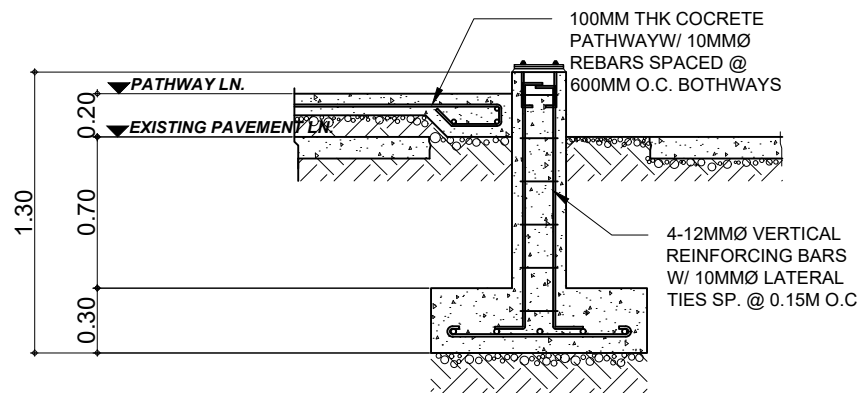


100mm THK. GRAVEL BASE WELL-COMPACTED

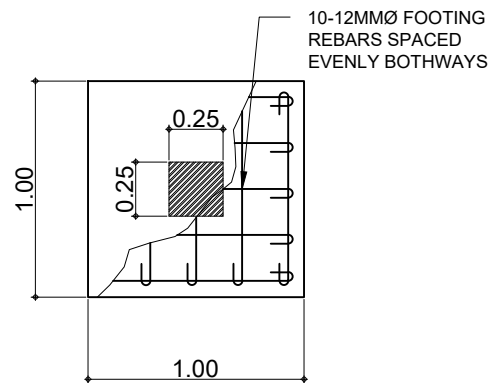
1 S3 TYPICAL COLUMN DET. NOT DRAWN TO SCALE



2 S3 TYP. COLUMN-FOOTING DETAIL NOT TO SCALE



3 S3 C2/F2 DETAIL SCALE 1/50 MTS



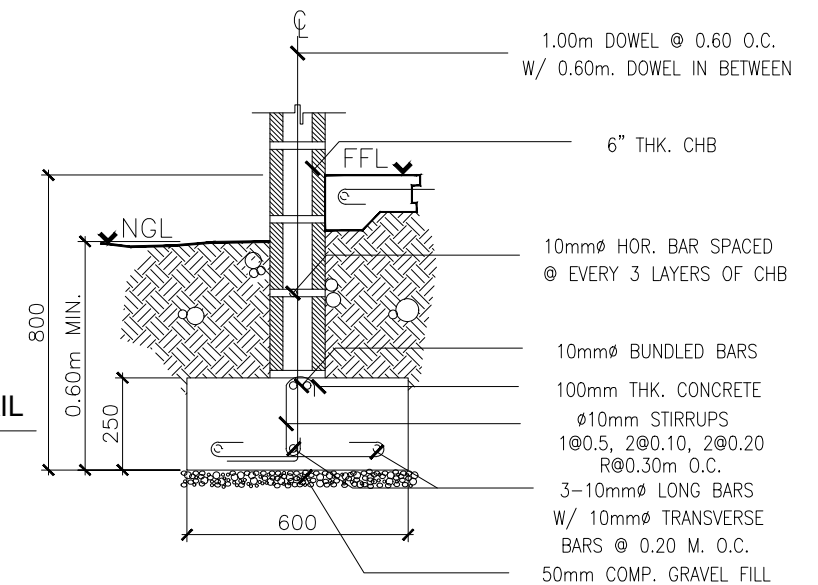
3 S3 TYPICAL WALL FOOTING DETAIL NOT TO SCALE

SCHEDULE OF FOOTING

FOOTING MARK	FOOTING DIMENSIONS (mm)				REINFORCEMENT	
	LENGTH (m)	WIDTH (m)	Thickness (m)	FOUNDING DEPTH (m)	BAR X	BAR Y
F-1	1.20	1.20	0.30	1.30	12MMØ @ 100MM	12MMØ @ 100MM
F-2	1.00	1.00	0.30	1.00	12MMØ @ 150MM	12MMØ @ 150MM
F-5	0.80	0.80	0.30	1.00	12MMØ @ 100MM	12MMØ @ 100MM

SCHEDULE OF COLUMNS

C-1	C-2	C-3	C-5	C-6
SIZE 150 X 350	SIZE 250 X 250	SIZE 150 X 200	SIZE 150 X 300	SIZE 250 X 250
REBARS 6-12MM	REBARS 4-12MMØ	REBARS 4-12MMØ	REBARS 6-12MMØ	REBARS 4-12MMØ
TIES 2-SET 10MMØ, 1@50, 6@100, REST@150 O.C.	TIES 10MMØ @200 O.C.	TIES 10MMØ, 1@50, 5@100, REST@200 O.C.	TIES 2-SET 10MMØ, 1@50, 5@100, REST@200 O.C.	TIES 10MMØ @200 O.C.



SOUTHERN LEYTE STATE UNIVERSITY
SOGOD, SOUTHERN LEYTE

SHEET CONTENT:
COLUMN DETAIL
FOOTING DETAIL

PREPARED BY:

RYAN A. MACUTO
CIVIL ENGINEER

PROJECT TITLE AND LOCATION:

PROPOSED REPAIR AND IMPROVEMENT OF STRUCTURES/FACILITIES AND ACQUISITION OF EQUIPMENTS (IMPROVEMENT OF MAIN CAMPUS MAIN GATE)
SLSU MAIN CAMPUS, SOGOD SOUTHERN LEYTE

APPROVED AS PER PLAN:

PROSE IVY G. YEPES, Ed.D
UNIVERSITY PRESIDENT

SET NO.:

S3

SHEET NO.:

11
18