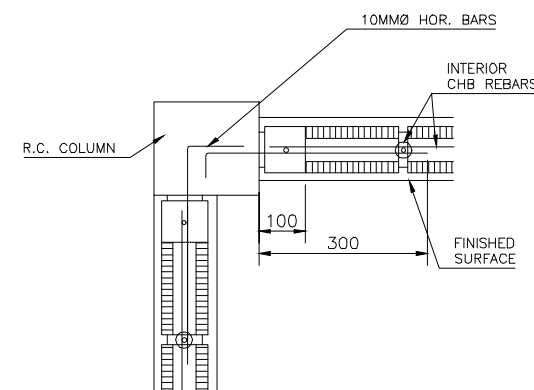
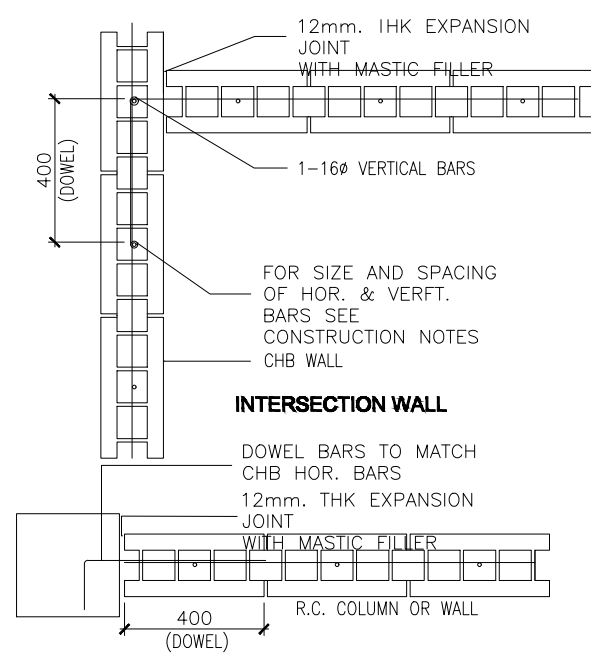


1B TYPICAL LINTEL BEAM DETAIL  
S 1b NOT TO SCALE

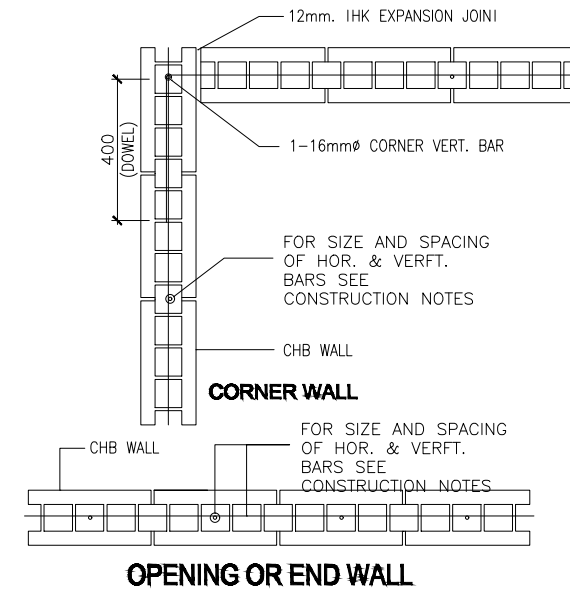


1A R.C. & CHB EXTERIOR WALL  
SIDE ANCHORAGE DET.  
S 1b NOT TO SCALE



INTERSECTING R.C. COLUMN OR WALL

1C TYP. CONNECTION DET. OF MASONRY WALL  
S 1b NOT DRAWN TO SCALE



1D TYP. CONNECTION DET. OF MASONRY WALL  
S 1b NOT DRAWN TO SCALE

**NOTE:**  
ALL CELLS OF CHB  
CONTAINING REINFORCING  
BARS SHALL BE SOLIDLY  
FILLED WITH CONCRETE  
GROUT

1 STANDARD DETAILS  
S 1b SCALE AS SHOWN



**SOUTHERN LEYTE STATE UNIVERSITY**  
SOGOD, SOUTHERN LEYTE

SHEET CONTENT:  
STANDARD DETAILS

PREPARED BY:  
**RYAN A. MACUTO**  
CIVIL ENGINEER

PROJECT TITLE AND LOCATION:  
**PROPOSED REPAIR AND IMPROVEMENT OF STRUCTURES/FACILITIES AND ACQUISITION OF EQUIPMENTS (IMPROVEMENT OF MAIN CAMPUS MAIN GATE)**  
SLSU MAIN CAMPUS, SOGOD SOUTHERN LEYTE

APPROVED AS PER PLAN:  
**PROSE IVY G. YEPES, Ed.D**  
UNIVERSITY PRESIDENT

SET NO.:  
**S1b**

SHEET NO.:  
**9**  
**18**