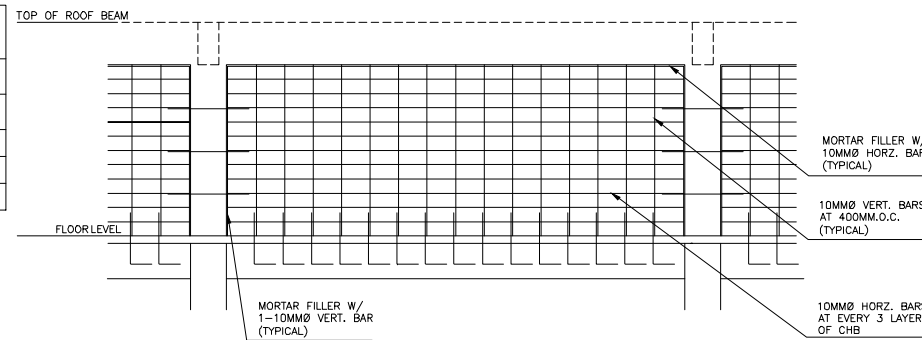


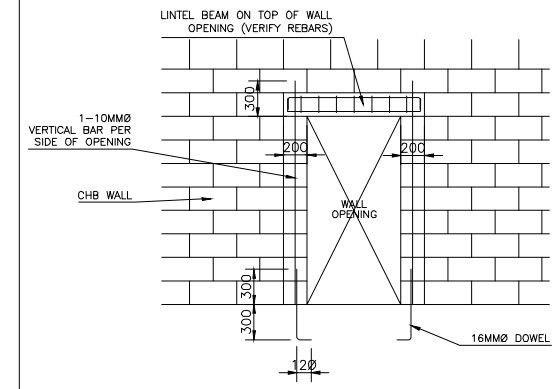
SCHEDULE OF MASONRY WORKS						
LINTEL BEAMS				MASONRY		
CHB WALL THICKNESS (MM.)	B (MM.)	H (MM.)	HORZ. BARS	STIRRUPS	HORIZONTAL BARS	VERTICAL BARS
100	100	200	2-10MMØ	10MMØ @ 300	10MMØ @ 600 MM.O.C.	10MMØ @ 600 MM.O.C.
150	150	200	4-10MMØ	10MMØ @ 300	10MMØ @ 600 MM.O.C.	10MMØ @ 600 MM.O.C.
200	200	200	4-10MMØ	10MMØ @ 300	10MMØ @ 600 MM.O.C.	10MMØ @ 600 MM.O.C.

NOTE :

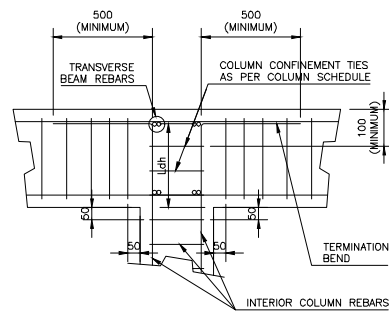
- REFER TO ARCHITECTURAL PLANS TO VERIFY LOCATIONS OF ALL CHB & R.C. NON-STRUCTURAL WALLS.
- REFER TO THICKNESS OF FINISHES TO ARCHITECTURAL PLANS.
- 12MM. THICK GAP SHALL BE PROVIDED IN BETWEEN WALLS & COLUMNS, WALLS & BEAMS, WALLS & SLABS ON TOP.
- SILICONE SEALANT SHALL BE PROVIDED FOR ALL EXTERNAL WALL (CHB OR R.C.). FOR INTERNAL WALLS SEALANTS NEED NOT BE PROVIDED.
- STRUCTURAL R.C. WALLS (i.e. WATER TANK, ETC.) SHALL NOT BE PROVIDED W/ 12MM THK. GAPS ALL AROUND.
- STRUCTURAL GAPS SHALL IN NO CASE BE COVERED W/ PLASTER.



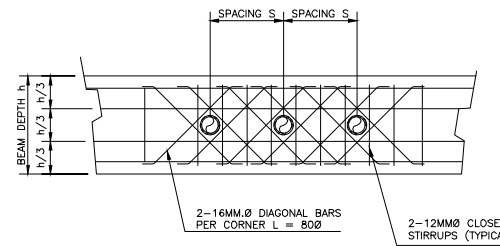
1G TYPICAL MASONRY ELEVATION
S 1a NOT TO SCALE



1H TYP. CHB WALL OPENING ELEV.
S 1a NOT TO SCALE



1D INTERIOR COLUMN TERMINATION BEND
S 1a NOT TO SCALE



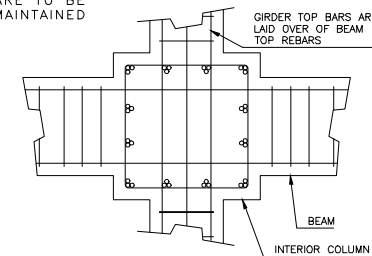
1E TYP. BEAM PENETRATION DETAIL
S 1a NOT TO SCALE

NOTE :

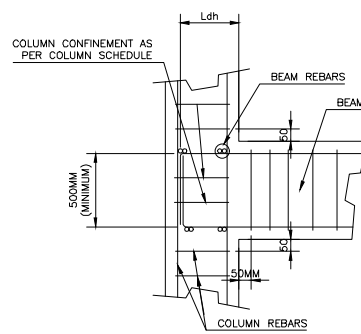
- CENTER TO CENTER SPACING OF PIPE SLEEVES SHALL IN NO CASE BE LESS THAN 3 TIMES THE SLEEVE DIAMETER.
- PIPE SLEEVES OF ALUMINUM SHALL NOT BE EMBEDDED IN STRUCTURAL CONCRETE.
- PIPE SLEEVES SHALL NOT BE LARGER IN OUTSIDE DIMENSION THAN 1/3 THE OVERALL DEPTH OF THE BEAM.
- PIPE SLEEVES SHALL BE LOCATED WITHIN THE MIDDLE THIRD OF THE BEAM DEPTH.
- PIPE SLEEVES SHALL BE LOCATED WITHIN THE MIDDLE THIRD OF BEAM CLEAR SPAN.

NOTE :

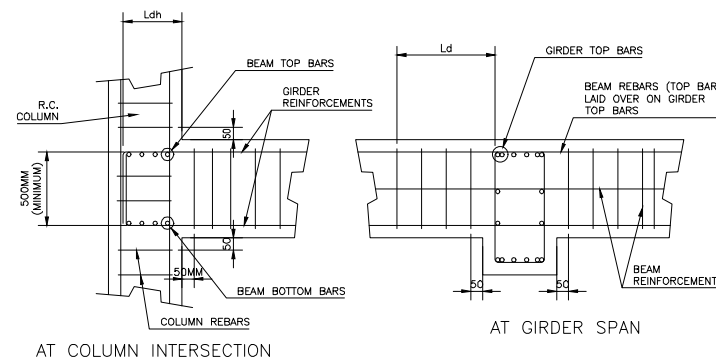
- CLEAR DISTANCE BETWEEN RE-BARS ARE TO BE STRICTLY MAINTAINED



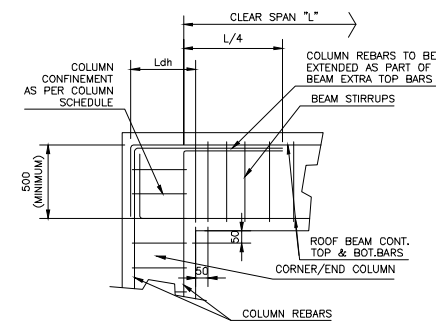
1F TYP. PLAN OF BEAM / GIRDER COL. JOINT
S 1a NOT TO SCALE



1A BEAM RE-BAR TERMINATION BEND
S 1a NOT TO SCALE



1B TYPICAL BEAM & GIRDER RE-BAR LAYOUT
S 1a NOT TO SCALE



1C CORNER / EXTERIOR COL. TERMINATION BEND
S 1a NOT TO SCALE

1 STANDARD DETAILS
S 1a SCALE AS SHOWN



SOUTHERN LEYTE STATE UNIVERSITY
SOGOD, SOUTHERN LEYTE

SHEET CONTENT:
STANDARD DETAILS

PREPARED BY:

RYAN A. MACUTO
CIVIL ENGINEER

PROJECT TITLE AND LOCATION:

PROPOSED REPAIR AND IMPROVEMENT OF STRUCTURES/FACILITIES AND ACQUISITION OF EQUIPMENTS (IMPROVEMENT OF MAIN CAMPUS MAIN GATE)
SLSU MAIN CAMPUS, SOGOD SOUTHERN LEYTE

APPROVED AS PER PLAN:

PROSE IVY G. YEPES, Ed.D
UNIVERSITY PRESIDENT

SET NO.:

S1a

SHEET NO.:

8 / 18