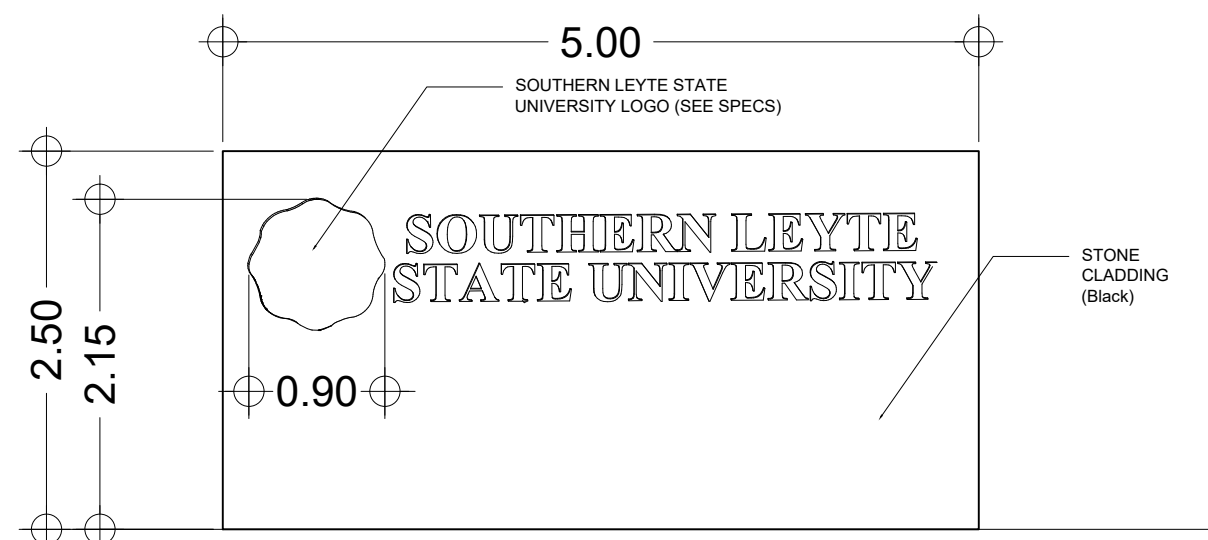
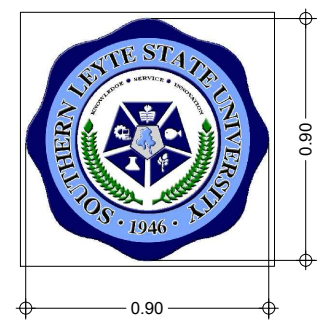


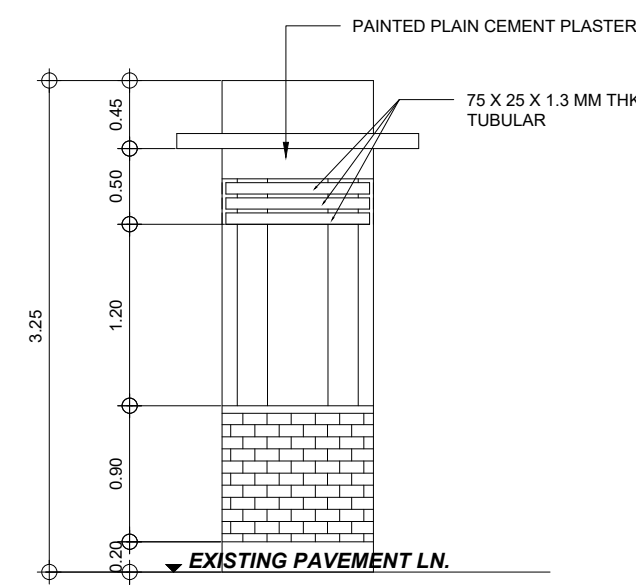
**1**  
**B6** CONCRETE BENCH & PLANT BOX  
SCALE 1/75 MTS



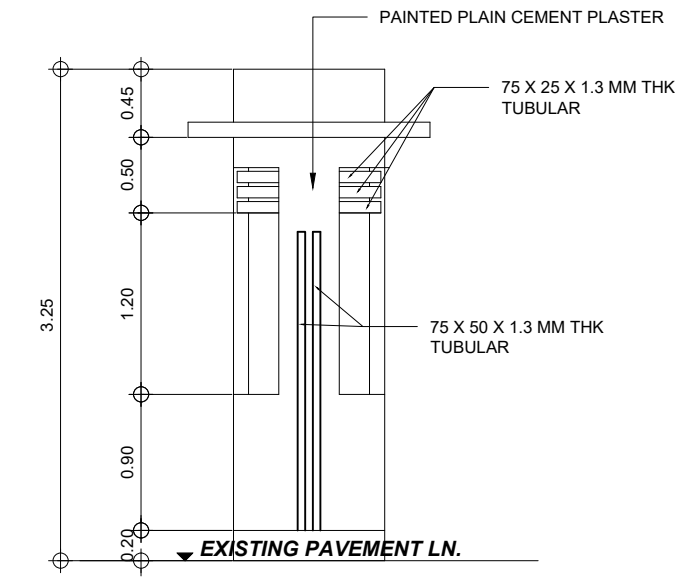
**2**  
**B6** ENTRY STATEMENT  
SCALE 1/100 MTS



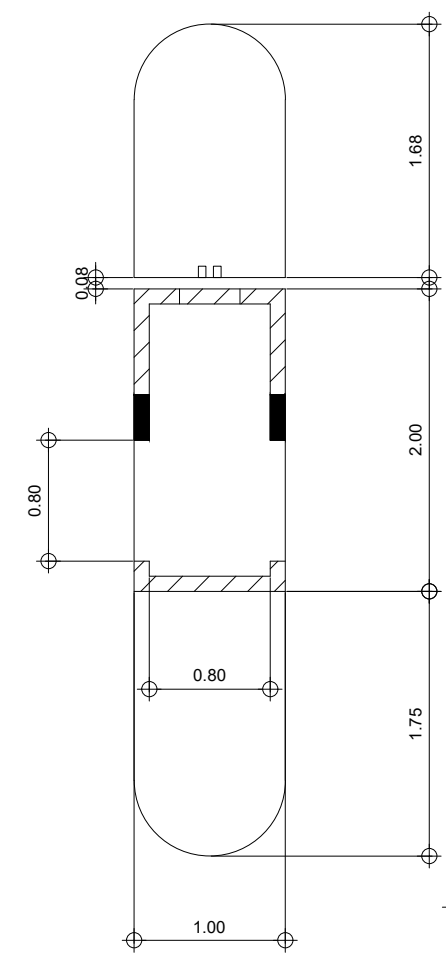
**3**  
**B6** LOGO DETAIL  
NOT DRAWN TO SCALE



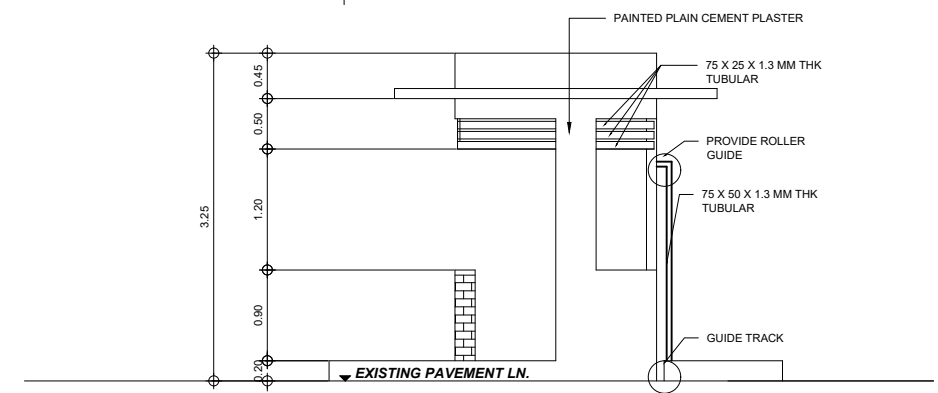
**4**  
**B6** FRONT ELEV. (ISLAND TYPE GUARD HOUSE)  
SCALE 1/50 MTS



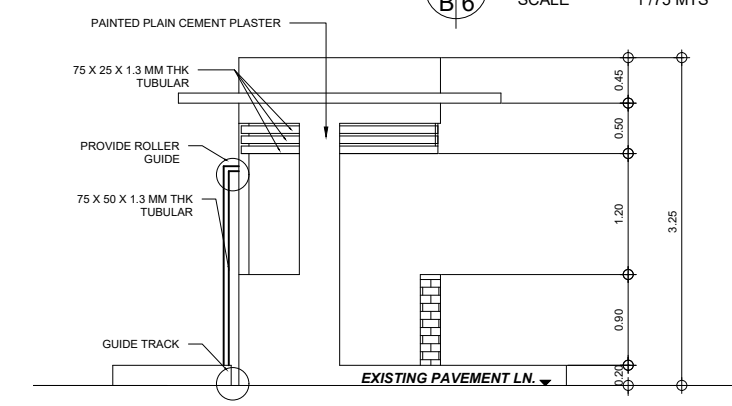
**5**  
**B6** REAR ELEV. (ISLAND TYPE GUARD HOUSE)  
SCALE 1/50 MTS



**3**  
**B6** PLAN (ISLAND TYPE GUARD HOUSE)  
SCALE 1/50 MTS



**6**  
**B6** RIGHT VIEW ELEV. (ISLAND TYPE GUARD HOUSE)  
SCALE 1/75 MTS



**7**  
**B6** LEFT VIEW ELEV. (ISLAND TYPE GUARD HOUSE)  
SCALE 1/75 MTS

 <b>SOUTHERN LEYTE STATE UNIVERSITY</b> SOGOD, SOUTHERN LEYTE	SHEET CONTENT:	PREPARED BY:	PROJECT TITLE AND LOCATION:	APPROVED AS PER PLAN:	SET NO.:	SHEET NO.:
	ROOF PLAN FACADE DETAIL	<b>RYAN A. MACUTO</b> CIVIL ENGINEER	<b>PROPOSED REPAIR AND IMPROVEMENT OF STRUCTURES/FACILITIES AND ACQUISITION OF EQUIPMENTS (IMPROVEMENT OF MAIN CAMPUS MAIN GATE)</b> SLSU MAIN CAMPUS, SOGOD SOUTHERN LEYTE	<b>PROSE IVY G. YEPES, Ed.D</b> UNIVERSITY PRESIDENT	<b>Bd6</b>	<b>6</b> <b>18</b>