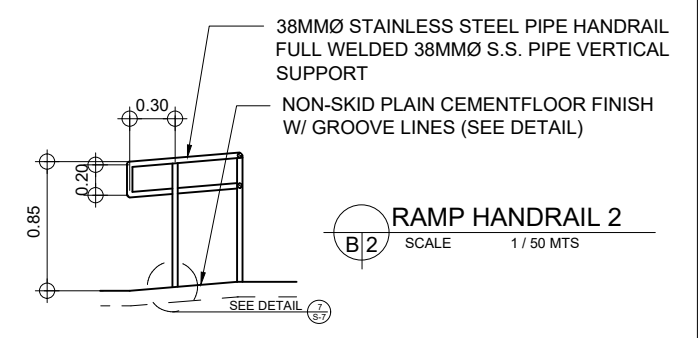
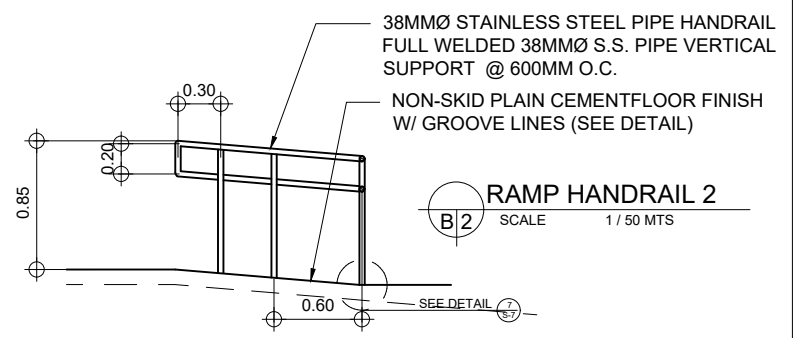
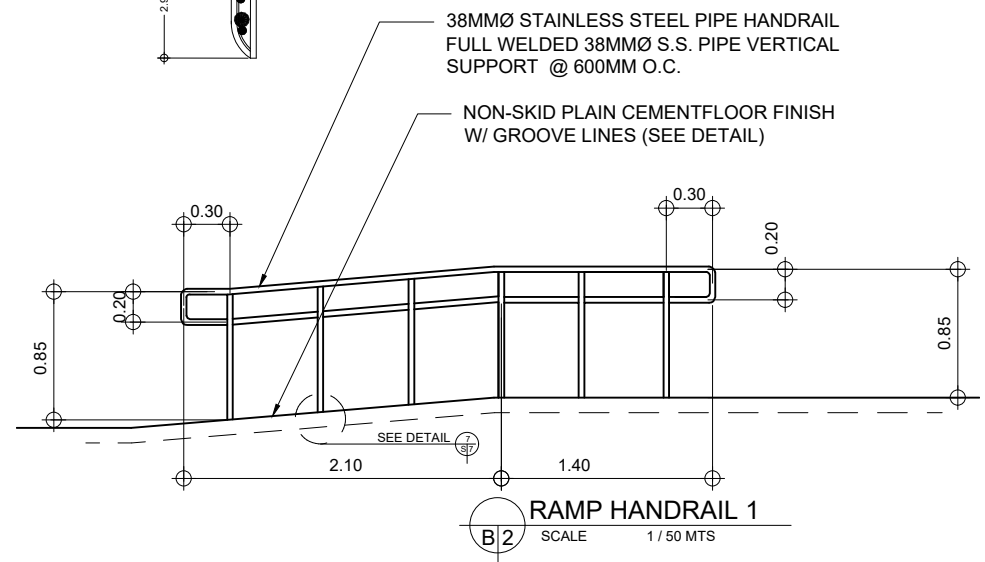


1 FLOOR PLAN
SCALE 1 / 200 MTS

SCHEDULE OF DOORS	PLAN	
	ELEVATION	
MARK		
LOCATION	GUARD HOUSE (SEE PLAN)	
QUANTITY	1 SET	
SPECIFICATION	POWDER COATED ALUMINUM FRAME DOOR USING 1/8" THICK DARK TINTED GLASS	

SCHEDULE OF WINDOWS	PLAN			
	ELEVATION			
MARK				
LOCATION	GUARD HOUSE (SEE PLAN)	GUARD HOUSE (SEE PLAN)	TOILET	
QUANTITY	3 SETS	1 SET	1 SET	
SPECIFICATION	POWDER COATED ALUMINUM FRAME, SLIDING WINDOW USING 1/8" THICK DARK TINTED GLASS	POWDER COATED ALUMINUM FRAME WINDOW USING 1/8" THICK DARK TINTED GLASS	Awning type steel casement window w/ aluminum clip & cast iron handle using 1/8" thick dark tinted glass	



<p>SOUTHERN LEYTE STATE UNIVERSITY SOGOD, SOUTHERN LEYTE</p>	SHEET CONTENT:	PREPARED BY:	PROJECT TITLE AND LOCATION:	APPROVED AS PER PLAN:	SET NO.:	SHEET NO.:
	FLOOR PLAN SCHEDULE OF DOORS & WINDOWS HANDRAIL ELEV.	RYAN A. MACUTO CIVIL ENGINEER	PROPOSED REPAIR AND IMPROVEMENT OF STRUCTURES/FACILITIES AND ACQUISITION OF EQUIPMENTS (IMPROVEMENT OF MAIN CAMPUS MAIN GATE) SLSU MAIN CAMPUS, SOGOD SOUTHERN LEYTE	PROSE IVY G. YEPES, Ed.D UNIVERSITY PRESIDENT	Bd2	2 / 18